

BINGO Spex Stroller

A breakthrough in rehabilitative stroller seating.

The BINGO Spex provides a solution for paediatrics that has never been seen before. For children with positioning needs where a stroller is the preferred option for the family, the BINGO Spex provides an optimum seating support designed to accommodate even the most challenging postures.



Create clinical solutions with Spex cushion and back support system.



ALLOWANCE FOR HIP/THIGH FLEXION AND PRE-ISCHIAL SUPPORT

A good pelvic foundation is paramount to assist in slowing, or even preventing pelvic and spinal asymmetries. Therefore, the cushion adjusts to correct or accommodate the child's pelvic and thigh needs.



SPEX POSITIONING CUSHION BASE

Strategic positioning pads can be added or removed from underneath the cushion to allow for different contours and shapes. This way we can meet the client's posture requirements present today; and readjust them in the future.



PELVIC OBLIQUITY BUILD-UP

Pelvic obliquity build-up can be achieved and easily adjusted under the cushion ischial well. Its adjustable pre-ischial area can be conformed on-the-spot for greater or lesser anti-thrust needs.



CREATE INSTANT SHAPE

Back support shaping allows for accommodation or correction of trunk deformities, that will ultimately be supported through multi-adjustable lateral trunk supports and anterior chest supports.



SPEX CONTOURING SYSTEM

Create a modular and adjustable solution which can be tailored to meet the individual support needs of each child.



ASYMMETRICAL CONTOURING

Back support adjustable shaping can be easily adapted to meet common spinal deformities, such as Scoliosis, Lordosis, and Kyphosis.

BINGO Spex Stroller

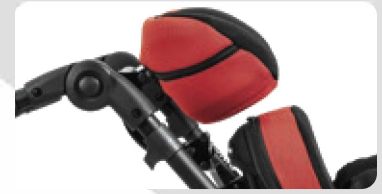
A smart-looking stroller that enables parents to take their child outside and explore! (A sun canopy is included in the package.)



Adjustable suspension system.



Adjustable recline, seat tilt and elevating foot support.



COMFI HEAD SUPPORT

Ultimate comfort and positioning for the head with inbuilt lateral and occipital support. 2 styles available: standard lateral and extended lateral (shown).
Standard 2885-4241-XXX
Extended 2885-4341-XXX

Superior comfort and style

With a wide range of coloured seating options to choose from, the BINGO Spex offers a colour to suit any style. Stand out from the crowd with our Chilli Red or look pretty in pink with the Calypso.



BLACK
-099

BUMBLEBEE
-044

CALYPSO
-028

CHILLI
-022

GRANITE
-090

LEAF
-054

MANGO
-030

OCEAN
-060

ROYAL
-077

BINGO SPEX TECHNOLOGY

- Spex cushion
- Spex back support
- Axial lateral trunk supports
- Forearm supports

OPTIONS

- Hip belt positioning
- Anterior chest supports
- Comfi head supports

FRAME AND SEAT FEATURES

- BINGO OT mobility base in matte black
- Open footrest platform
- Tray table

- Elevating legrest allowing for contractures 85°-160°
- Sun Canopy and Rain Shield

- Basket
- Transport tie-downs

- Oxygen bottle holder
- IV pole
- Weather gear

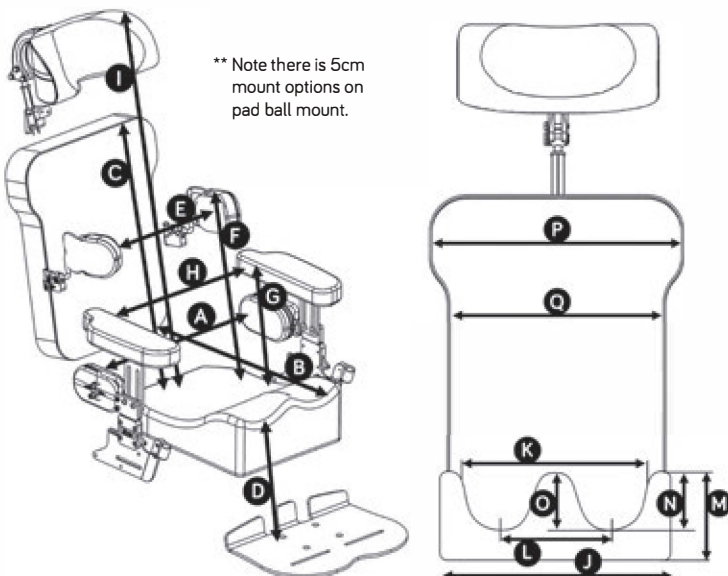
- Ventilator tray for respiratory equipment
- Feet sandals

- Height-adjustable indoor base
- Axial Pelvic Supports

BINGO Spex Stroller User measurements

BINGO Stroller Size		Size 1		Size 2	
BINGO Stroller Order Code		2885-0031-032		2885-0032-032	
Seating specs	A Hip width	17-28cm (6.5-11")		22-33cm (8.5-13")	
	B Seat depth	18-23cm (7-9") 1.1 Cushion	23-30cm (9-12") 1.2 Cushion	23-33cm (9-13") 2.1 Cushion	28-38cm (11-15") 2.2 Cushion
	C Back height	36-44cm (14-17")		40-48cm (16-19")	
	D Lower leg length*	25-40cm (10-16")		25-45cm (10-18")	
	E Lateral trunk support width	12-28cm (5-11")		15-30cm (6-12")	
	F Lateral trunk support height	15-34cm (6-13.5")		17-40cm (6.5-16")	
	G Arm support height	15-22cm (6-8.5")		15-22cm (6-8.5")	
	H Internal arm support width	20-32cm (8-13")		28-38cm (11-15")	
	I Head support height**	45-65cm (18-25.5")		50-70cm (20-28")	
	J Cushion total width	33cm (13") Size 1.1	33cm (13") Size 1.2	38cm (15") Size 2.1	38cm (15") Size 2.2
	K Internal cushion width	23cm (9") Size 1.1	28cm (11") Size 1.2	28cm (11") Size 2.1	33cm (13") Size 2.2
	L Centre of thigh contours	15cm (6") Size 1.1	17cm (6.5") Size 1.2	18cm (7") Size 2.1	20cm (8") Size 2.2
	M Cushion side height	14cm (5.5")		14cm (5.5")	
	N Thigh contour height	9cm (3.5")		9cm (3.5")	
	O Abductor contour height	5cm (2")		5cm (2")	
	P Back cushion width	33cm (13")		38cm (15")	
	Q Trunk cushion width	26cm (10")		30cm (12")	
Stroller specs	Frame seat depth capacity	18-30cm (7-12")		20-38cm (8-15")	
	Frame back height capacity	36-46cm (14-18")		41-55cm (16-22")	
	Back support recline angle	90-160°			
	Height of push bar	75-110cm (29.5-43")			
	Overall frame width	63cm (25")		68cm (27")	
	Max load of seat unit	50kg (110lb) (body weight including other load)			
Base frame capacity	60kg (132lb)				

Stroller Package includes matte black frame with tie downs, 3 kg fabric basket, tray table, and sun canopy.



Adjustable seating and stroller



Cobra height-adjustable indoor base. The seat easily transfers into the Cobra for feeding and activity times. Tilt setting can still be adjusted.
Size 1: 2880-8711-000
Size 2: 2880-8721-000



Seat in forward facing direction.



Seat in rear facing direction.

Rehabilitative care improves with innovative Spex seating.



AXIAL PELVIC SUPPORTS

Multi-adjustable pelvic supports can orientate in width and angle for optimum pelvic control. These pads are mounted to the quick-release hardware meaning transfers are easy.
Size 1: 2885-1111-000
Size 2: 2885-1112-000



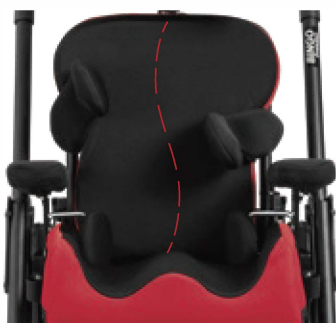
SPEX BACK SUPPORT

Comfortable pressure-reducing back support with contouring cell system to permit a personal contour for bony prominences, scoliosis and other asymmetrical back postures.
Size 1: 2885-2012-OXX
Size 2: 2885-2014-OXX



SPEX SUPERHIGH CUSHION

Specially designed for a young child who has moderate to high positioning requirements. Spex Superhigh offers optimal adduction and abduction contours to effectively position the pelvis and legs. Spex positioning technology allows further adjustment for pelvic obliquity, hip flexion and other clinical requirements.
1.1: 2885-0610-OXX **1.2:** 2885-0611-OXX
2.1: 2885-0612-OXX **2.2:** 2885-0613-OXX



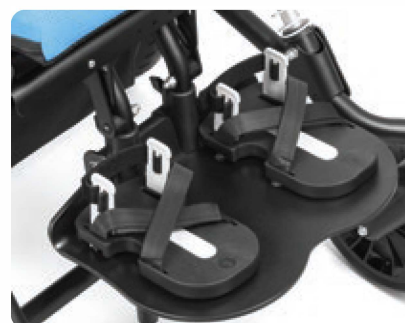
AXIAL LATERAL TRUNK SUPPORTS

Comfortable lateral trunk supports that are width, depth and multiple angle adjustable. Patented mechanically rotational system allows the lateral pad to rotate to correctly align to the user's trunk. Swing-away hardware make it easy for carers to transfer the child in and out.
Narrow: 2885-3410-291
Broad: 2885-3431-291



FOREARM SUPPORTS

Comfortable, padded forearm supports on quick-release hardware make transfers easy for the carers.
Size 1: 2885-5621-291
Size 2: 2885-5622-291



FEET POSITIONING SANDALS

Straps can be fixed in a variety of ways to achieve the most appropriate support for each child. Independently adjustable to exactly accommodate the optimum foot position.
Sandals: 2885-6081-000
Sandal Raising Blocks: 2885-6091-000